

Hand Fabricated Bowl

1.1

Product Code: HF10

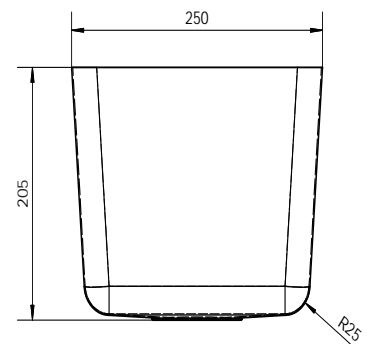
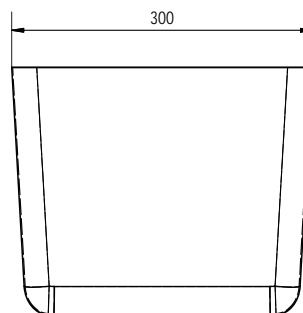
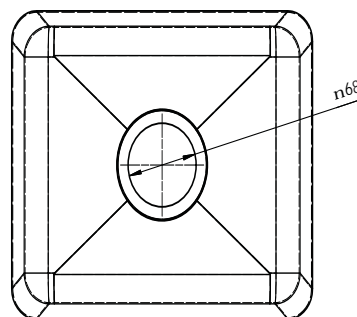
SIZE: 300x250x205

An ideal solution for saving time and money. Our range of hand fabricated bowls are manufactured to the highest standards, from there one piece construction to there flawless polish finish.



Features and Benefits:

- 1.2mm 304 grade stainless steel
- Raw edge ready for welding
- Standard 50mm outlet
- 90mm or 125mm outlet available on request
- Standard centre outlet
- Available off the shelf



“another great idea”