



Hand Fabricated Bowl

Product Code: HF12

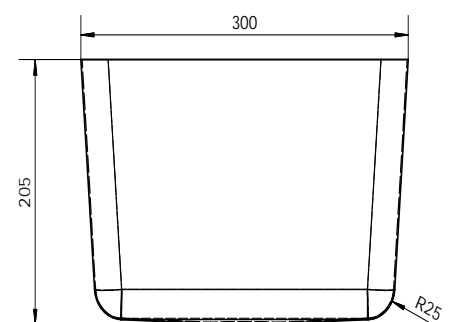
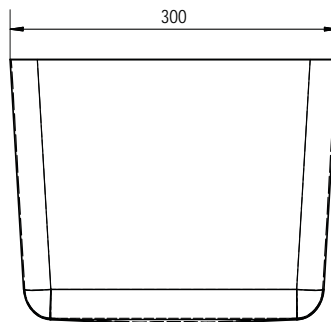
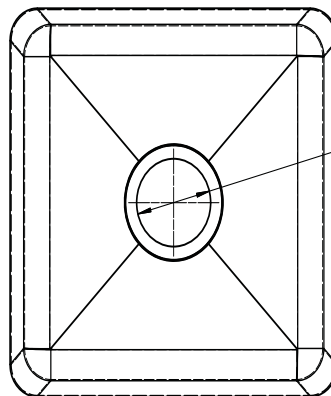
SIZE: 300x300x205

An ideal solution for saving time and money. Our range of hand fabricated bowls are manufactured to the highest standards, from there one piece construction to there flawless polish finish.



Features and Benefits:

- 1.2mm 304 grade stainless steel
- Raw edge ready for welding
- Standard 50mm outlet
- 90mm or 125mm outlet available on request
- Standard centre outlet
- Available off the shelf



“another great idea”

6 / 24 Wellington St
Riverstone NSW 2765

P. 02 9627 6111
F. 02 9627 3111

info@3monkeez.com.au
www.3monkeez.com.au

Details accurate at time of print. It is possible that some details may change without notice. Whilst all care has been taken in compiling this information designs & dimensions shown are indicative only and should not be relied upon without prior approval.