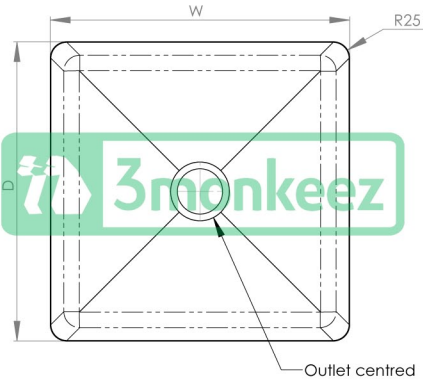
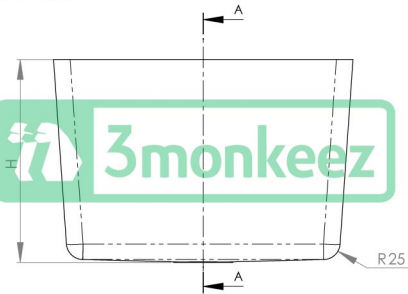


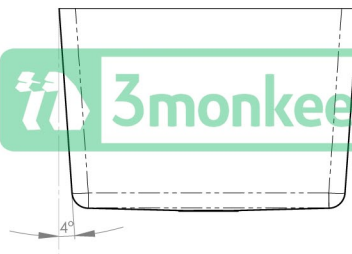
## Top



## Front



## Cross-section A-A



1.2mm hand fabricated bowls featuring raw edge ready for welding.

### Features and Benefits:

- Constructed from 1.2mm 304 grade stainless steel
- Standard outlet sizes as per chart
- 127mm outlet available on request, this outlet suits the SSBW-1 Scraptrap
- Centre outlet
- Raw edge ready for welding
- Cross breaks to the outlet
- In stock and available for immediate delivery

PRODUCT CODE	W (mm)	D (mm)	H (mm)	OUTLET	CAPACITY
HF-10	300	250	200	50	13.3L
HF-12	300	300	200	50	16.5L
HF-13	350	300	300	90	27.5L
HF-14	400	350	300	90	37.5L
HF-11	400	400	300	90	43.3L
HF-15	450	300	300	90	36L
HF-16	350	450	300	90	42.5L
HF-20	450	400	300	90	49L
HF-17	450	450	300	90	55.5L
HF-18	530	380	300	90	55.3L
HF-21	550	450	300	90	68.5L
HF-19	600	450	300	90	75L
HF-22	800	500	300	90	113L

Unit 6, 24 Wellington Street, Riverstone NSW 2765

Tel: 02 9627 6111 Fax: 02 9627 3111

sales@3monkeeZ.com.au

www.3monkeeZ.com.au

Details accurate at time of print. It is possible that some details may change without notice. Whilst all care has been taken in compiling this information, designs & dimensions shown are indicative only and should not be relied upon without prior approval.



another great idea.