



Adjustable Racking Parts

10.2

ALL PARTS FROM 304 GRADE STAINLESS STEEL

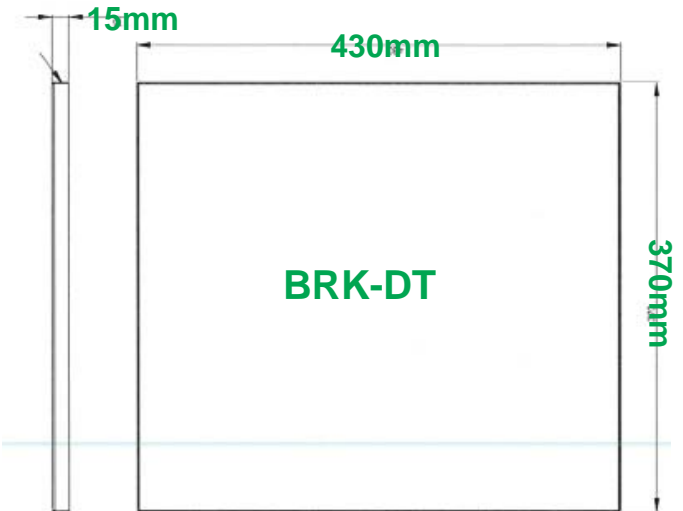
Stainless Steel Drip Tray

CODE: BRK-DT

Stainless Steel Notched Channel 25mm

CODE: BRK-NC1

1m Lengths



Stainless Steel Tray Slides

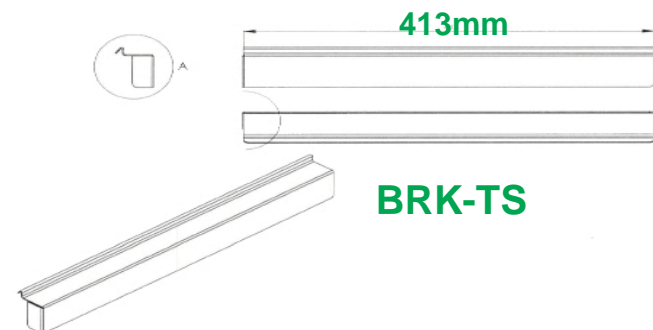
CODE: BRK-TS (Pair L&R)



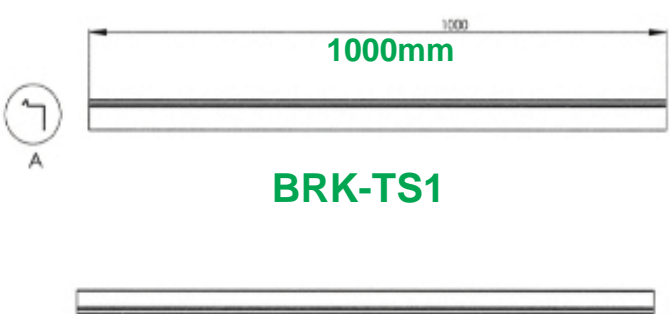
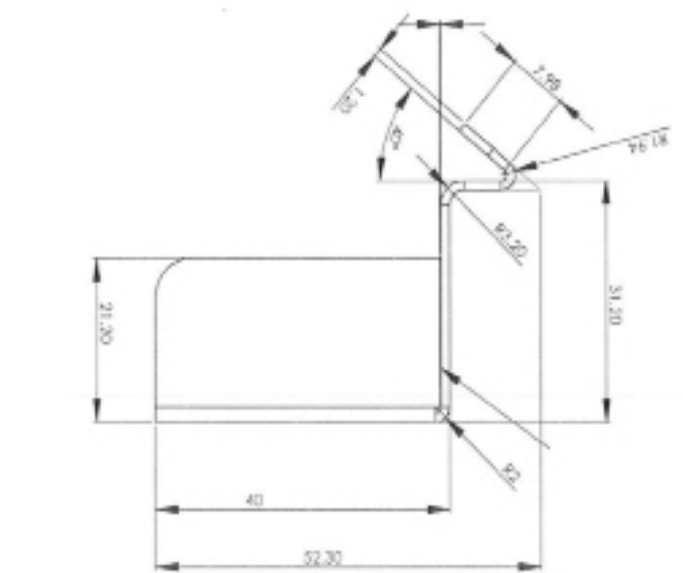
Stainless Steel Tray Slide

CODE: BRK-TS1

1m Lengths



BRK-NC1



Tray Slide Profile

"another great idea"

6 / 24 Wellington St
Riverstone NSW 2765

P. 02 9627 6111
F. 02 9627 3111

info@3monkeez.com.au
www.3monkeez.com.au

Details accurate at time of print. It is possible that some details may change without notice. Whilst all care has been taken in compiling this information designs & dimensions shown are indicative only and should not be relied upon without prior approval.