



Pattern Trough No.4

11.4

Product Code: M-PT-4

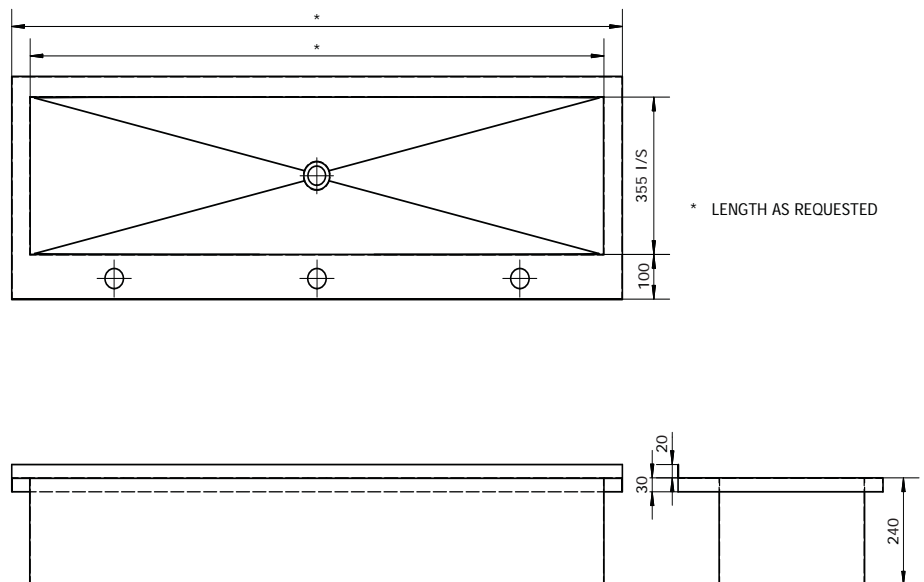
This Pattern trough has a 100mm hob, and tap holes and outlets can be configured to your requirements .

Available in a variety of lengths, outlet position set as required



Features and Benefits

- 304 Grade stainless steel
- Outlet as required
- Length as required
- Tap Holes as required
- Complete with wall brackets



“another great idea”

6 / 24 Wellington St
Riverstone NSW 2765

P. 02 9627 6111
F. 02 9627 3111

info@3monkeez.com.au
www.3monkeez.com.au

Details accurate at time of print. It is possible that some details may change without notice. Whilst all care has been taken in compiling this information designs & dimensions shown are indicative only and should not be relied upon without prior approval.