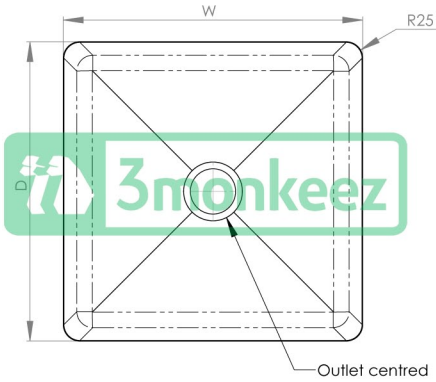
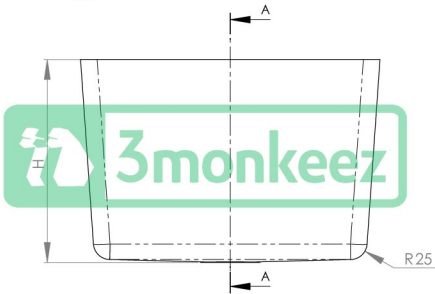


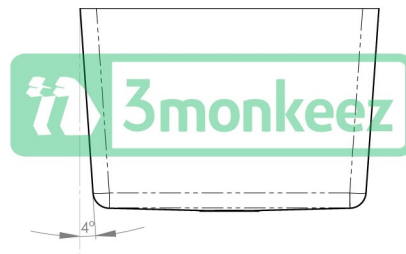
Top



Front



Cross-section A-A

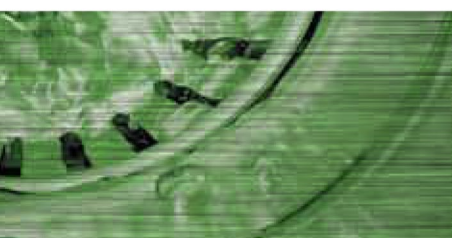


2mm hand fabricated bowls featuring raw edge ready for welding.

Features and Benefits:

- Constructed from 2mm 304 grade stainless steel
- Standard outlet sizes as per chart
- Centre outlet
- Raw edge ready for welding
- Cross breaks to the outlet
- In stock and available for immediate delivery

PRODUCT CODE	W (mm)	D (mm)	H (mm)	OUTLET	CAPACITY
HF31-2	450	300	300	90	35.5L
HF32-2	450	450	300	90	54.5L
HF33-2	400	500	250	90	45.5L
HF34-2	500	500	300	90	68.5L
HF35-2	600	450	300	90	74L
HF36-2	650	550	300	90	99L



Unit 6, 24 Wellington Street, Riverstone NSW 2765
 Tel: 02 9627 6111 Fax: 02 9627 3111
 sales@3monkeeZ.com.au
 www.3monkeeZ.com.au

Details accurate at time of print. It is possible that some details may change without notice. Whilst all care has been taken in compiling this information, designs & dimensions shown are indicative only and should not be relied upon without prior approval.



another great idea.