

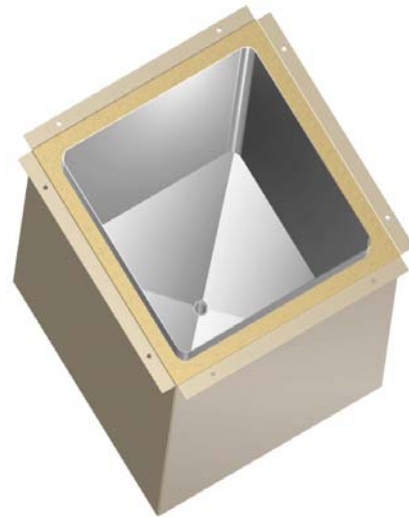
Weld In Insulated Ice Well

3.1

Product Code: ICE-303020

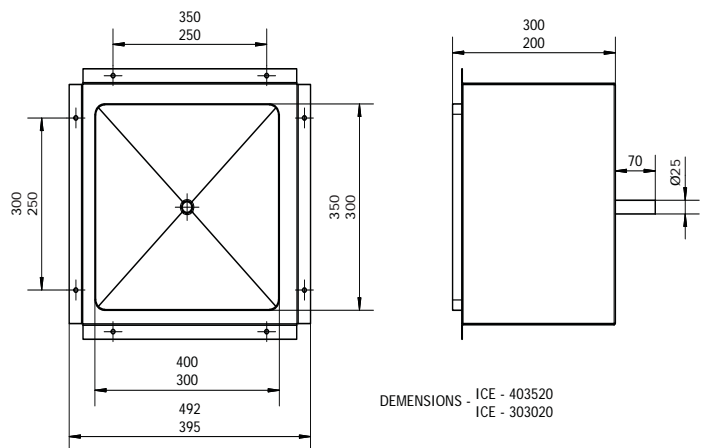
Allow the 3monkeez to save you time and money with our weld in insulated ice wells.

Supplied as a complete unit ready to weld in with either a raised wet area or flush with the bench top.



Features and Benefits:

- Internal skin - 1.2mm 304 grade stainless steel
- Internal skin can be welded in flush with the bench top
- Radius corners and cross breaks to a 25mm centre waste
- Raw edge ready for welding
- 25mm urethane injection insulation
- External skin - 1mm 304 grade stainless steel complete with a flange for fixing.
- Can be welded in with a raised wet area or flush with the bench top



“another great idea”

6 / 24 Wellington St
Riverstone NSW 2765

P. 02 9627 6111
F. 02 9627 3111

info@3monkeez.com.au
www.3monkeez.com.au