



Stainless Drawer with Lock

4.2

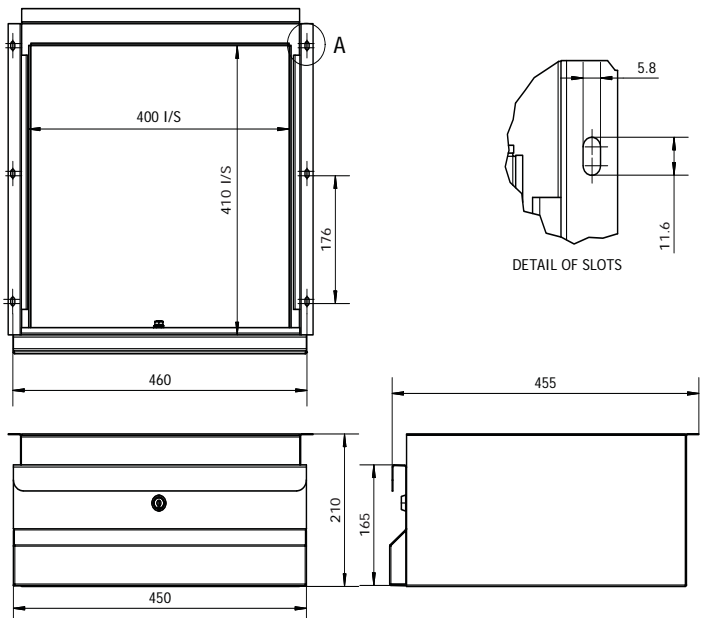
Product Code: SSDRAWER-L

For use in commercial kitchens, out door BBQ areas, hospitals and food preparation.
Can be under bench mounted or manufactured into free standing cabinet.



Features and Benefits:

- Constructed from 1.2mm 304 grade stainless steel
- Heavy duty drawer slides
- Pre drilled fixing holes for under bench mounting
- Stackable for manufacture of drawer cabinets



“another great idea”

6 / 24 Wellington St
Riverstone NSW 2765

P. 02 9627 6111
F. 02 9627 3111

info@3monkeez.com.au
www.3monkeez.com.au

Details accurate at time of print. It is possible that some details may change without notice. Whilst all care has been taken in compiling this information designs & dimensions shown are indicative only and should not be relied upon without prior approval.