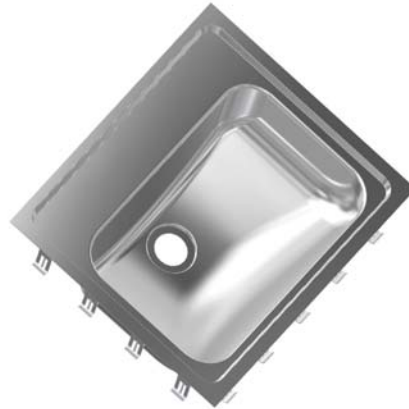


Inset Hand Basin

6.5

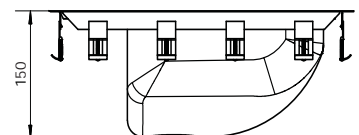
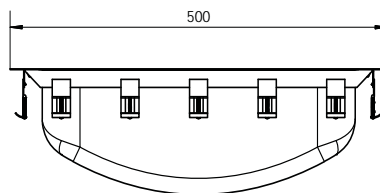
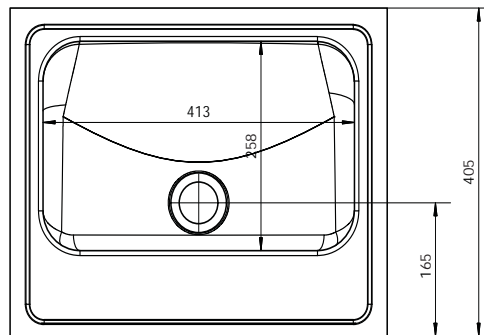
Product Code: HBF01

This inset hand basin has a mirror polish finish, and is available pre-punched. Complete with fixing clips and seal.



Features and Benefits

- 0.9mm 304 grade stainless
- Available pre punched
- Mirror polish
- 40mm outlet
- Complete with fixing clips and seal



“another great idea”

6 / 24 Wellington St
Riverstone NSW 2765

P. 02 9627 6111
F. 02 9627 3111

info@3monkeez.com.au
www.3monkeez.com.au

Details accurate at time of print. It is possible that some details may change without notice. Whilst all care has been taken in compiling this information designs & dimensions shown are indicative only and should not be relied upon without prior approval.