



Knee Operated Basin

6.8

Product Code: AB-KNEEHBT-1

Complete with temp valve

Product Code: AB-KNEEHB-1

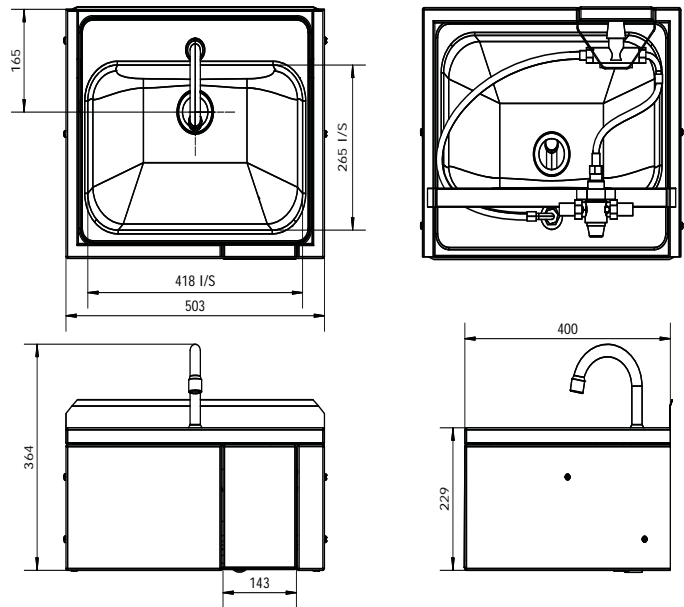
without temp valve



A hygienic solution to hand washing in areas such as commercial kitchens, hospitals and food processing areas.

Features and Benefits:

- Shroud 1.2mm 304 grade stainless steel
- Basin 0.9mm 304 grade stainless steel
- 50mm splash back
- 40mm outlet
- Pre plumbed with or without temp valve
- Ease of installation due to a one piece wall bracket system
- All models are fitted with WELS approved plumbing hardware



“another great idea”

6 / 24 Wellington St
Riverstone NSW 2765

P. 02 9627 6111
F. 02 9627 3111

info@3monkeez.com.au
www.3monkeez.com.au

Details accurate at time of print. It is possible that some details may change without notice. Whilst all care has been taken in compiling this information designs & dimensions shown are indicative only and should not be relied upon without prior approval.