



Corner Hand Basin

6.3

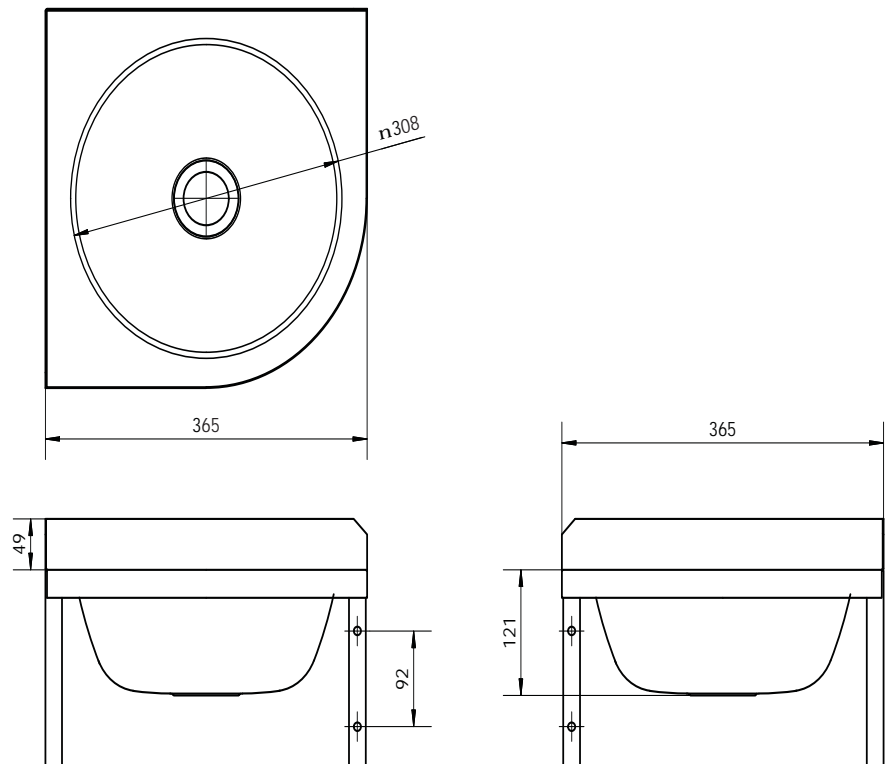
Product Code: HBCR

The corner mounted hand basin has a mirror polish finish and is easily installed. Unique space saving design Complete with wall brackets.



Features and Benefits

- 0.9mm 304 grade stainless
- Bowl diameter 300mm
- 50mm splash back
- 40mm outlet
- Complete with wall brackets



“another great idea”

6 / 24 Wellington St
Riverstone NSW 2765

P. 02 9627 6111
F. 02 9627 3111

info@3monkeez.com.au
www.3monkeez.com.au

Details accurate at time of print. It is possible that some details may change without notice. Whilst all care has been taken in compiling this information designs & dimensions shown are indicative only and should not be relied upon without prior approval.