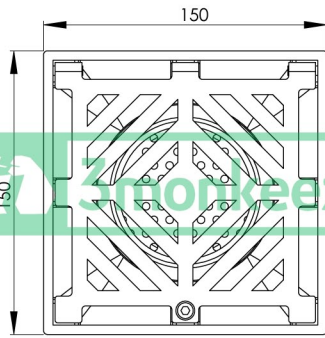
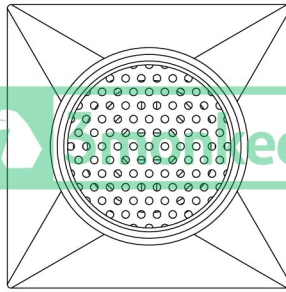


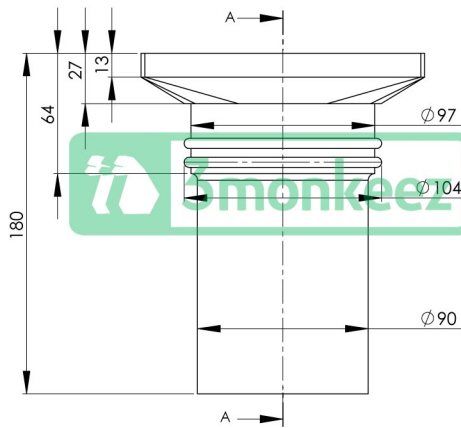
Top



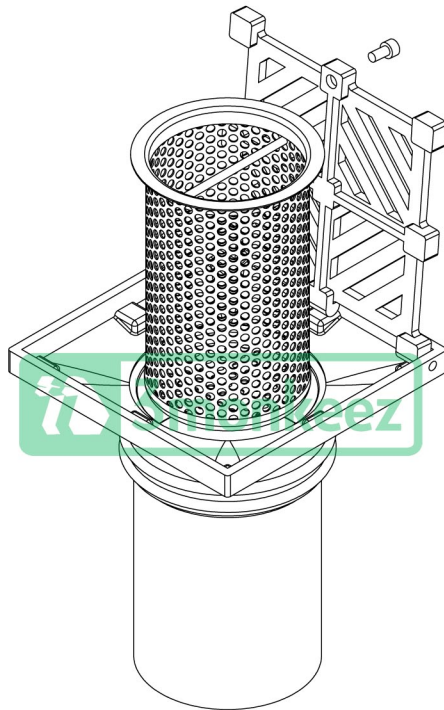
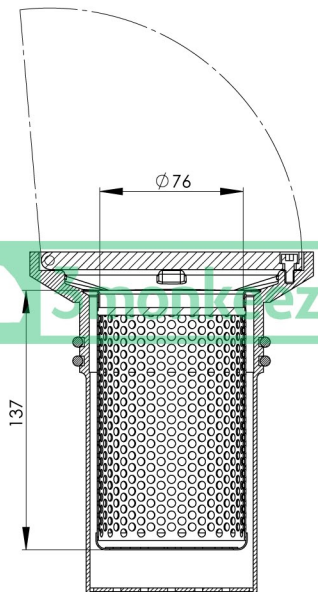
Bottom



Side



Cross-section A-A



Product Code:

**FW-150BS**

Modern lined design available in 304 grade stainless steel. Suits 100mm DWV and has 150mm hinged square grate with fixed secondary strainer and removable basket.

**Features and Benefits:**

- Hinged grate
- Fixed secondary strainer
- Removable strainer basket
- Suits 100mm DWV, HDPE pipe
- In stock and available for immediate delivery



Unit 6, 24 Wellington Street, Riverstone NSW 2765  
 Tel: 02 9627 6111 Fax: 02 9627 3111  
 sales@3monkeez.com.au  
 www.3monkeez.com.au

*Details accurate at time of print. It is possible that some details may change without notice. Whilst all care has been taken in compiling this information, designs & dimensions shown are indicative only and should not be relied upon without prior approval.*

