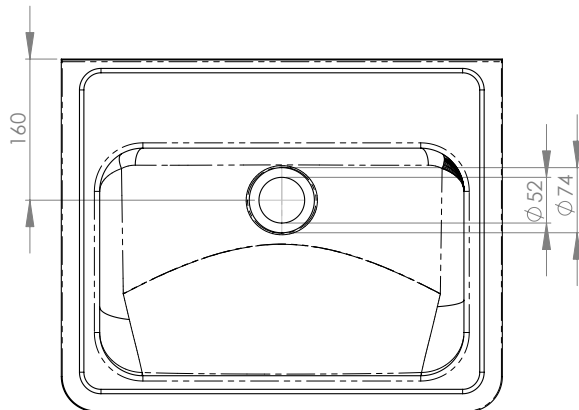
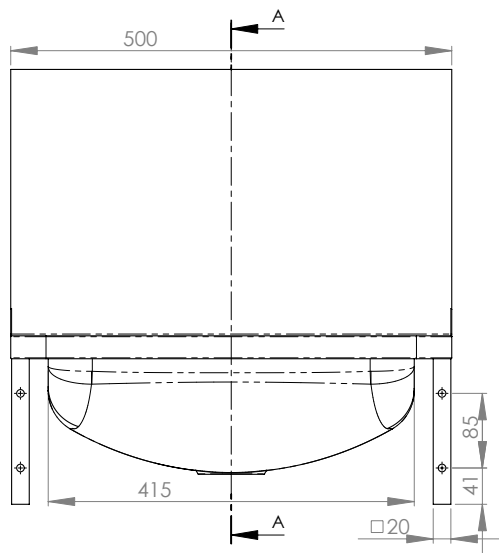


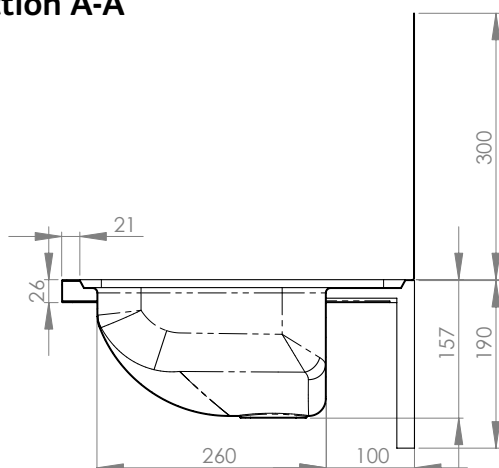
Top



Front



Cross-section A-A



Product Code:
HB300SB

This robust and economical wall mounted hand basin can save you time and money. It's unique design includes a 300mm splashback that removes the need to tile. It is ideal for use in a wide range of applications including schools, public amenities, sporting clubs and factory units.

Features and Benefits:

- 11.5 litre capacity
- Constructed from 1mm 304 grade stainless steel
- 300mm splashback
- 40mm outlet
- Comes complete with wall brackets
- Mirror polish finish
- Available in 1, 2 and 3 tap hole configurations
- In stock and available for immediate delivery