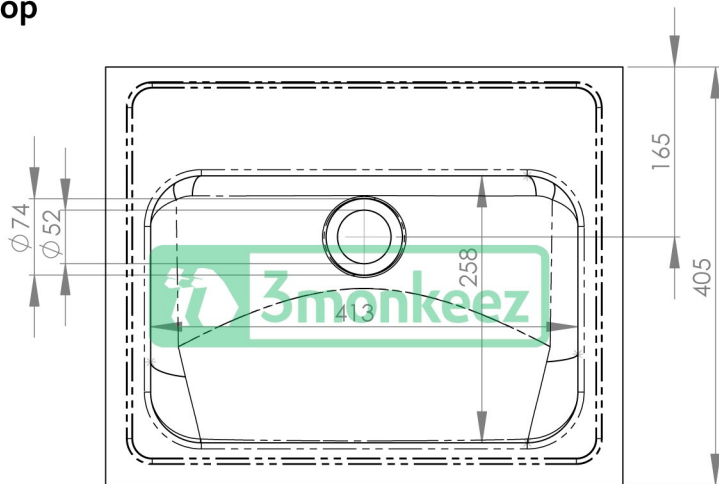
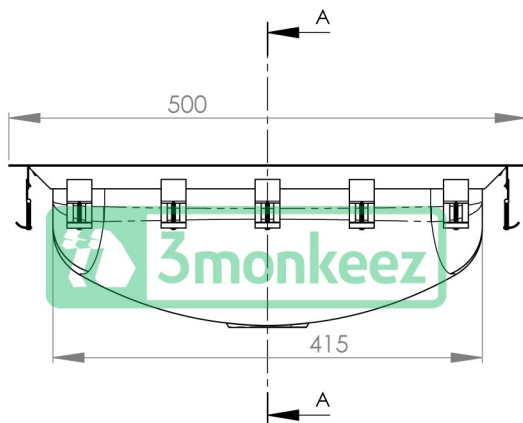


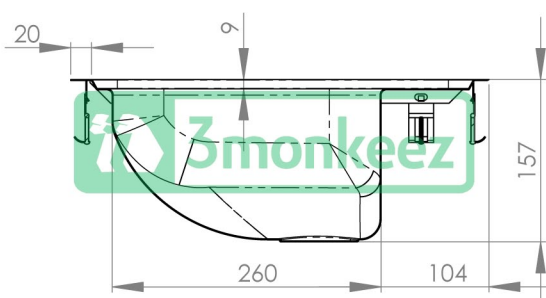
Top



Front



Cross-section A-A



Product Code:

HBF01

This inset hand basin features a mirror polish finish and comes complete with fixing clips and seal for bench mounting.

Features and Benefits:

- 11.5 litre capacity
- Constructed from 1mm 304 grade stainless steel
- Mirror polish finish
- 40mm outlet
- Comes complete with fixing clips and seal
- Available in 1, 2 and 3 tap hole configurations
- In stock and available for immediate delivery

Unit 6, 24 Wellington Street, Riverstone NSW 2765

Tel: 02 9627 6111 Fax: 02 9627 3111

sales@3monkeez.com.au

www.3monkeez.com.au

Details accurate at time of print. It is possible that some details may change without notice. Whilst all care has been taken in compiling this information, designs & dimensions shown are indicative only and should not be relied upon without prior approval.



another great idea.