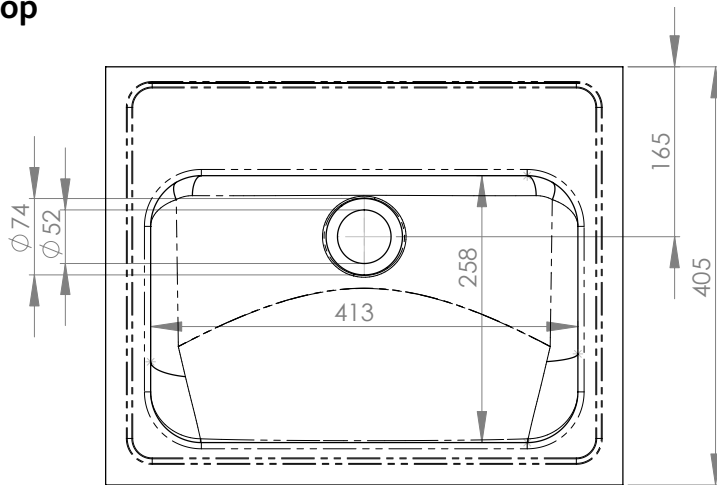
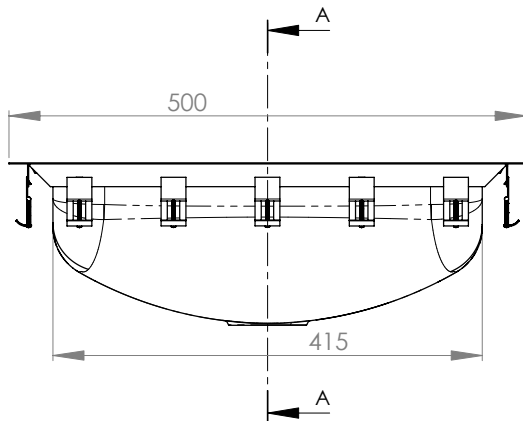


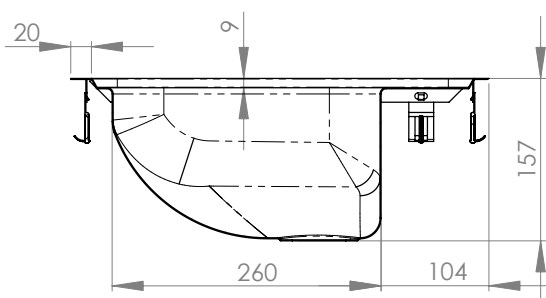
Top



Front



Cross-section A-A



Product Code:
HBF01

This inset hand basin features a mirror polish finish and comes complete with fixing clips and seal for bench mounting.

Features and Benefits:

- 11.5 litre capacity
- Constructed from 1mm 304 grade stainless steel
- Mirror polish finish
- 40mm outlet
- Comes complete with fixing clips and seal
- Available in 1, 2 and 3 tap hole configurations
- In stock and available for immediate delivery