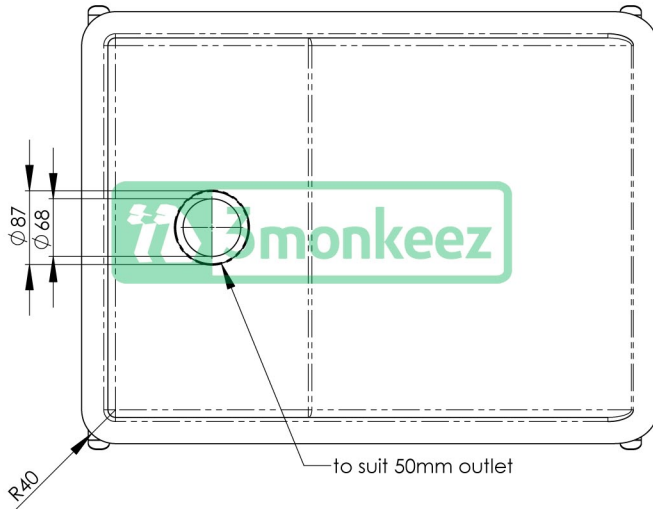
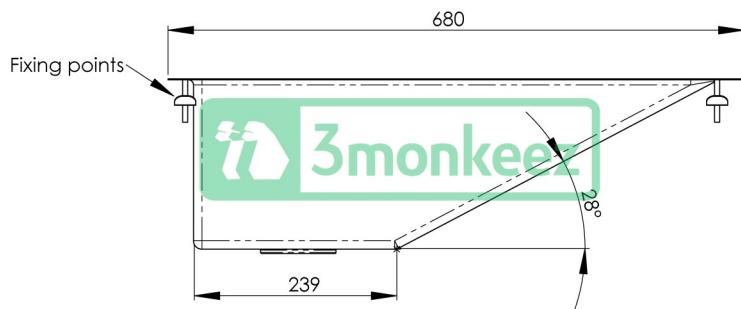


Top



Front



Side



Product Code:

M-BB-1

This baby bath is available with a raw edge for welding or a flange with fixing studs for bench mounting. It is designed for use in shopping centres, hospitals and day care centres.

Features and Benefits:

- Manufactured with 304 or 316 grade 1.2mm stainless steel
- Features a 50mm outlet
- Radius corners
- Ideal for use in shopping centres, hospitals and day care centres
- Available with a raw edge for welding or with a flange with fixing studs for bench mounting
- Custom sizes available on request

Unit 6, 24 Wellington Street, Riverstone NSW 2765

Tel: 02 9627 6111 Fax: 02 9627 3111

sales@3monkeeZ.com.au

www.3monkeeZ.com.au

Details accurate at time of print. It is possible that some details may change without notice. Whilst all care has been taken in compiling this information, designs & dimensions shown are indicative only and should not be relied upon without prior approval.



another great idea.