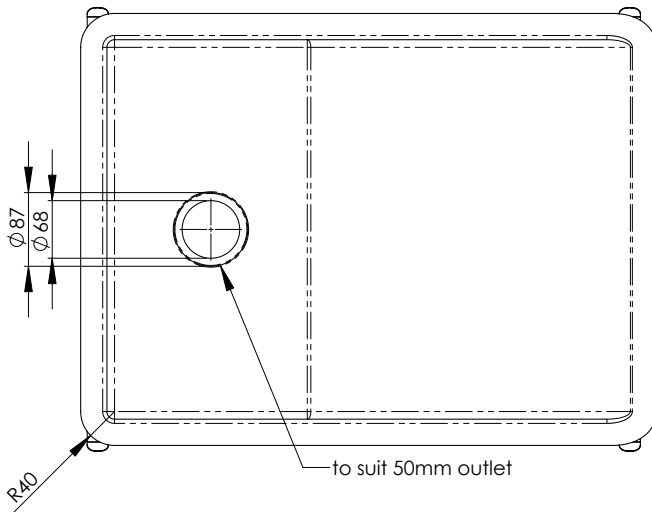
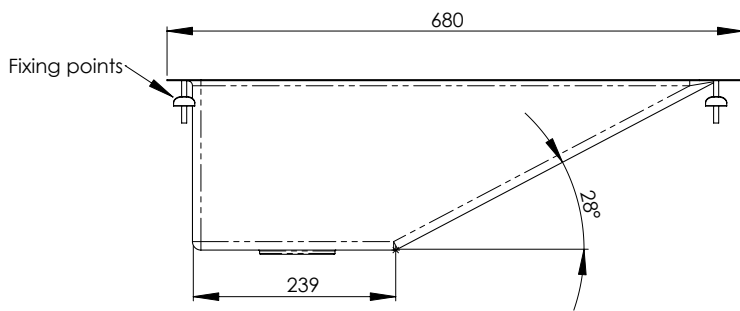


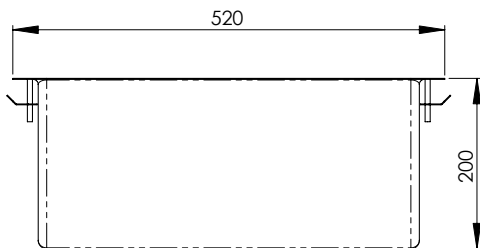
Top



Front



Side



Product Code:  
**M-BB-1**

This baby bath is available with a raw edge for welding or a flange with fixing studs for bench mounting. It is designed for use in shopping centres, hospitals and day care centres.

**Features and Benefits:**

- Manufactured with 304 or 316 grade 1.2mm stainless steel
- Features a 50mm outlet
- Radius corners
- Ideal for use in shopping centres, hospitals and day care centres
- Available with a raw edge for welding or with a flange with fixing studs for bench mounting
- Custom sizes available on request