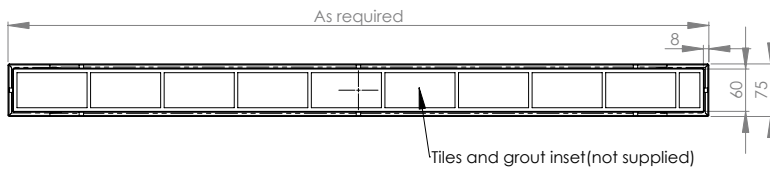
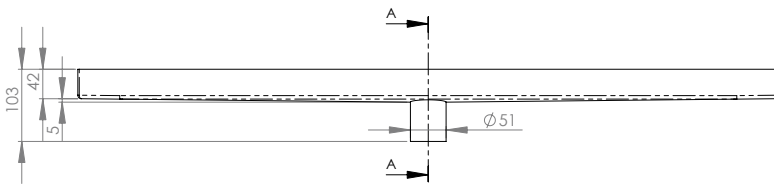


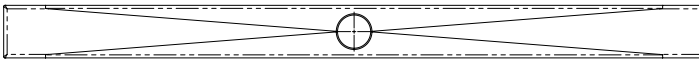
Top



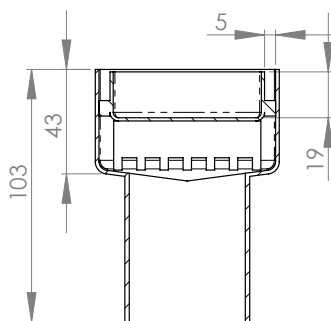
Front



Bottom



Cross-section A-A



Product Code:
M-FT-6

This trough is designed to take a tile finish and is typically used in showers, bathrooms and tiled balcony areas. It can be manufactured to any required length and width, making it a very flexible product. The size and position of the outlet can be manufactured to the customer's requirements.

Features and Benefits:

- Manufactured to required length and width using a choice of either 304 or 316 grade stainless steel
- Size of outlet and position manufactured to the customer's requirements
- Typically used in showers, bathrooms and tiled balcony areas
- Accepts a tile finish



Unit 6, 24 Wellington Street, Riverstone NSW 2765
 Tel: 02 9627 6111 Fax: 02 9627 3111
 sales@3monkeez.com.au
 www.3monkeez.com.au

Details accurate at time of print. It is possible that some details may change without notice. Whilst all care has been taken in compiling this information, designs & dimensions shown are indicative only and should not be relied upon without prior approval.



another great idea.