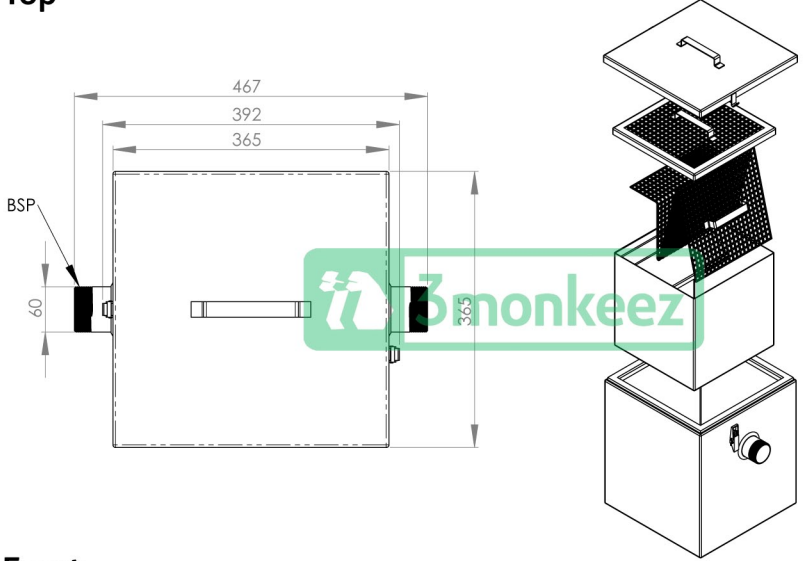
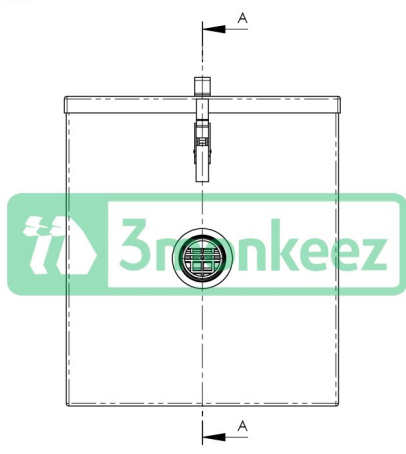


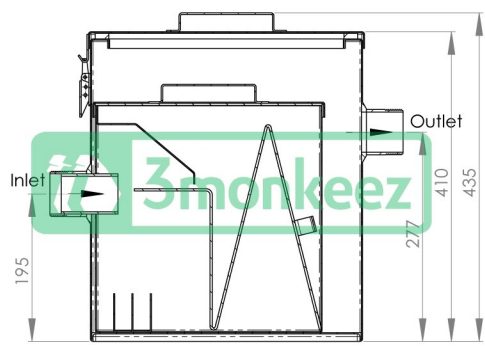
Top



Front



Cross-section A-A



Product Code:  
**M-PL-3**

This plaster trap features removable filter baskets and a removable lid with a handle. It is typically used in schools, art studios, medical and educational facilities.

**Features and Benefits:**

- Manufactured with 304 or 316 grade 1.2mm stainless steel
- 50mm BSP inlet and outlet
- Typically used in schools, art studios, medical and educational facilities
- Removable filter baskets
- Removable lid



Unit 6, 24 Wellington Street, Riverstone NSW 2765  
 Tel: 02 9627 6111 Fax: 02 9627 3111  
 sales@3monkeez.com.au  
 www.3monkeez.com.au

*Details accurate at time of print. It is possible that some details may change without notice. Whilst all care has been taken in compiling this information, designs & dimensions shown are indicative only and should not be relied upon without prior approval.*



another great idea.