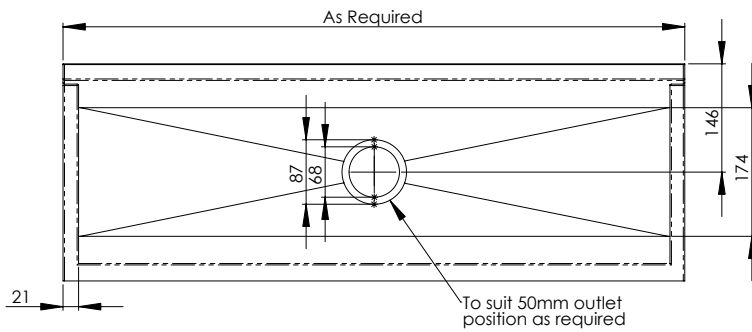
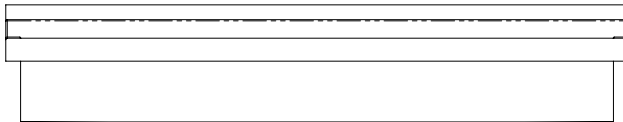


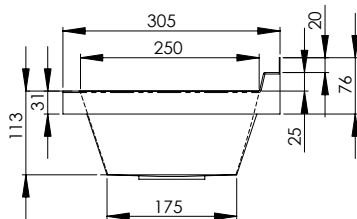
Top



Front



Side



Product Code:
M-PT-1

This pattern trough represents a flexible and economical solution for a broad range of washroom areas. It comes in a variety of lengths and the outlet position is set as required.

Features and Benefits:

- Constructed from 304 grade 1.2mm stainless steel
- Outlet as required
- Length as required
- Complete with wall brackets manufactured from 32mm 1.2mm square tube with pre-drilled fixing holes
- Splashback height can be modified on request



Unit 6, 24 Wellington Street, Riverstone NSW 2765
 Tel: 02 9627 6111 Fax: 02 9627 3111
 sales@3monkeez.com.au
 www.3monkeez.com.au

Details accurate at time of print. It is possible that some details may change without notice. Whilst all care has been taken in compiling this information, designs & dimensions shown are indicative only and should not be relied upon without prior approval.



another great idea.