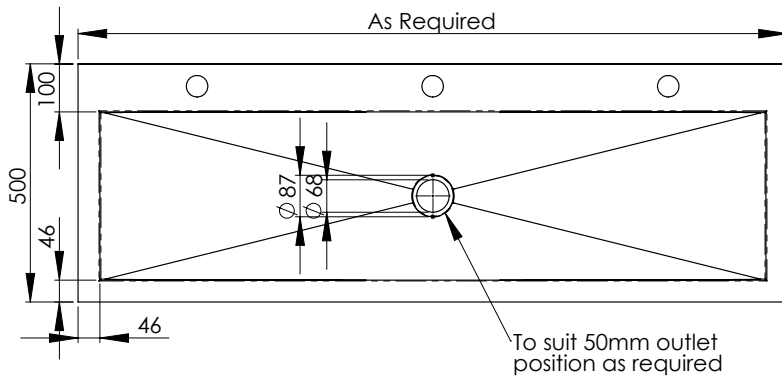
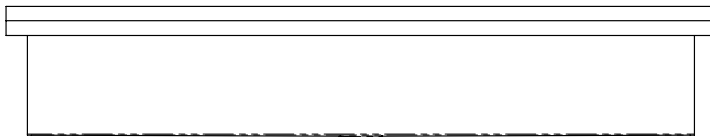


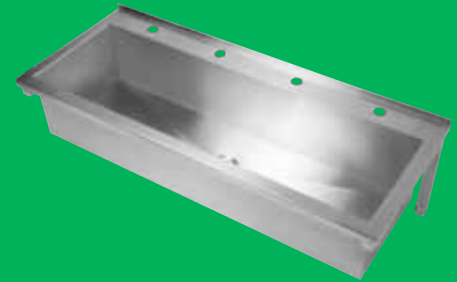
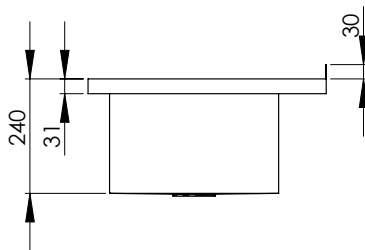
Top



Front



Side



Product Code:
M-PT-4

With tap holes and outlets configured to custom requirements and a 100mm hob this pattern trough is ideal for industrial applications. It offers additional flexibility through being available in a variety of lengths, and the outlet position is set as required.

Features and Benefits:

- Constructed from 304 grade 1.2mm stainless steel
- Outlet as required
- Length as required
- Tap holes as required
- Complete with wall brackets manufactured from 32mm 1.2mm square tube with pre-drilled fixing holes
- Splashback height can be modified on request
- Available pre-plumbed
- 1200 and 1800 available off the shelf

Unit 6, 24 Wellington Street, Riverstone NSW 2765
 Tel: 02 9627 6111 Fax: 02 9627 3111
 sales@3monkeez.com.au
 www.3monkeez.com.au

Details accurate at time of print. It is possible that some details may change without notice. Whilst all care has been taken in compiling this information, designs & dimensions shown are indicative only and should not be relied upon without prior approval.



another great idea.