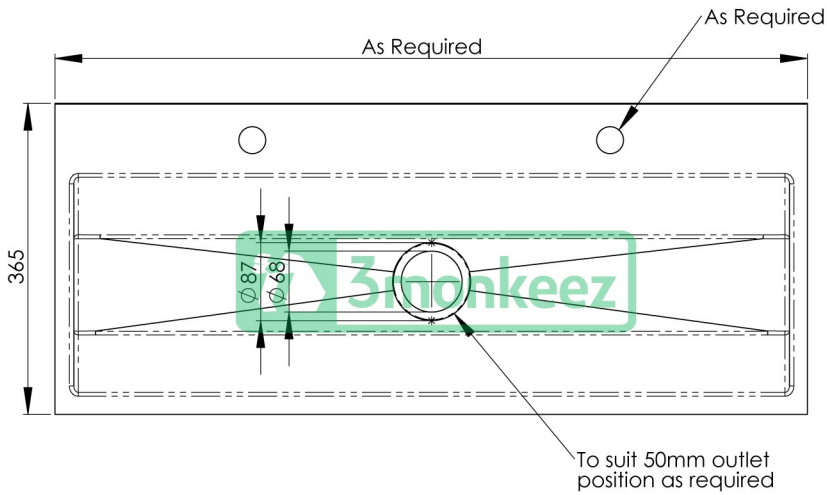


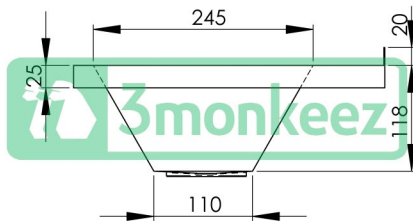
Top



Front



Side



Product Code:

M-PT-7

Ideal for use in schools this trough is designed for use with pillar taps or bubblers. It's unique design makes it perfect for situations when the plumbing cannot be concealed in a wall.

Features and Benefits:

- Constructed from 304 grade 1.2mm stainless steel
- Outlet as required
- Length as required
- Tap holes on request
- Available pre-plumbed
- Splashback height can be modified on request
- Available with optional lockable lid
- Complete with wall brackets manufactured from 40mm x 6mm stainless flat bar with pre-drilled fixing holes
- 1200mm and 1800mm available off the shelf

Unit 6, 24 Wellington Street, Riverstone NSW 2765

Tel: 02 9627 6111 Fax: 02 9627 3111

sales@3monkeeZ.com.au

www.3monkeeZ.com.au

Details accurate at time of print. It is possible that some details may change without notice. Whilst all care has been taken in compiling this information, designs & dimensions shown are indicative only and should not be relied upon without prior approval.



another great idea.