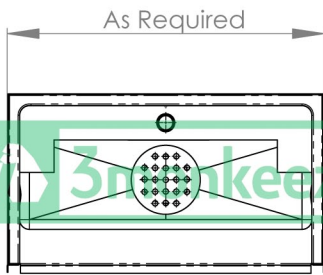
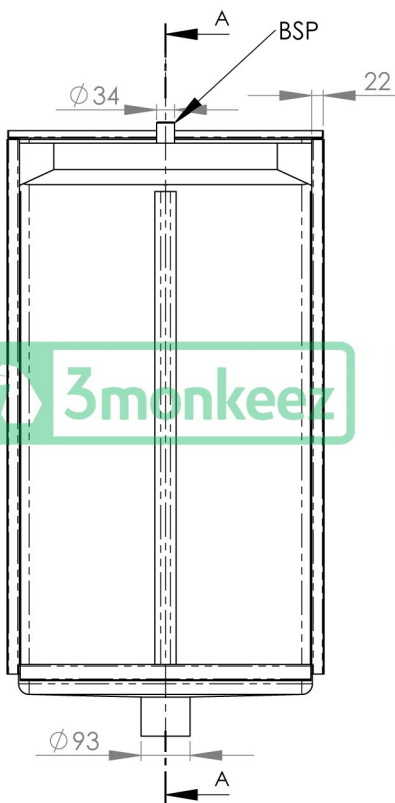


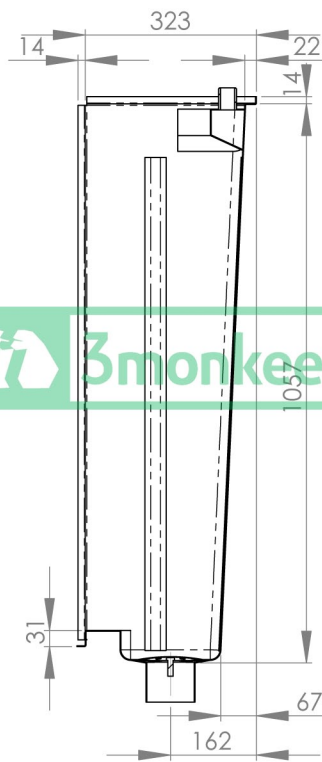
Top



Front



Cross-section A-A



Product Code:

M-SSUR

This economical and durable slab urinal features a unique returned sparge that maximises water efficiency.

Features and Benefits:

- Constructed from 304 grade 1.2mm stainless steel
- Outlet position as required
- Length as required
- 3 star WELS approved
- Rear or top inlet available
- Suitable for use with self-flushing systems



Unit 6, 24 Wellington Street, Riverstone NSW 2765
 Tel: 02 9627 6111 Fax: 02 9627 3111
 sales@3monkeez.com.au
 www.3monkeez.com.au

Details accurate at time of print. It is possible that some details may change without notice. Whilst all care has been taken in compiling this information, designs & dimensions shown are indicative only and should not be relied upon without prior approval.



another great idea.