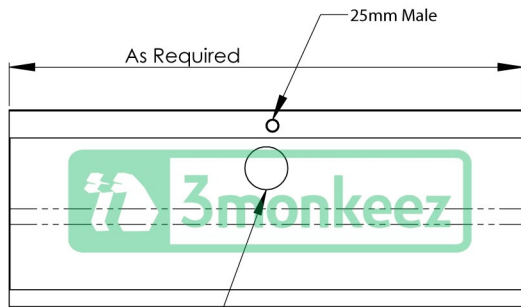
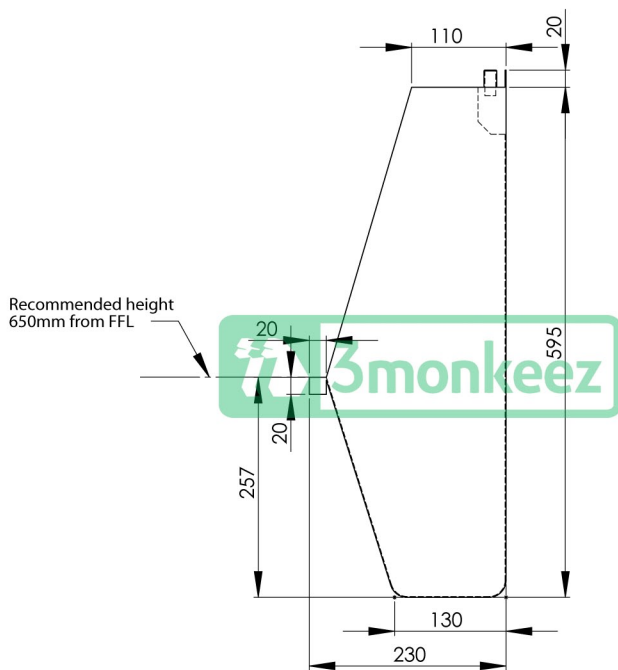


Top



50mm waste outlet complete with dome cover positioned as requested

Side



Product Code:

M-SWHUR

This wall hung urinal is perfect for temporary applications such as site sheds or mobile ablution amenities.

Features and Benefits:

- Constructed from 304 grade 1.2mm stainless steel
- Outlet position as required
- Length as required
- 3 star WELS approved
- Rear or top inlet available



Unit 6, 24 Wellington Street, Riverstone NSW 2765

Tel: 02 9627 6111 Fax: 02 9627 3111

sales@3monkeeZ.com.au

www.3monkeeZ.com.au

Details accurate at time of print. It is possible that some details may change without notice. Whilst all care has been taken in compiling this information, designs & dimensions shown are indicative only and should not be relied upon without prior approval.



another great idea.