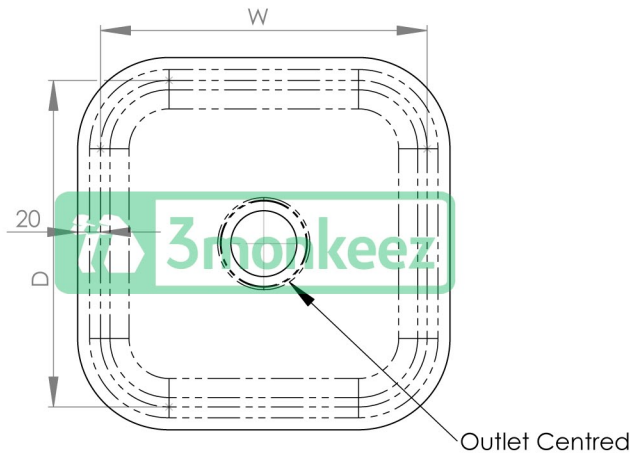
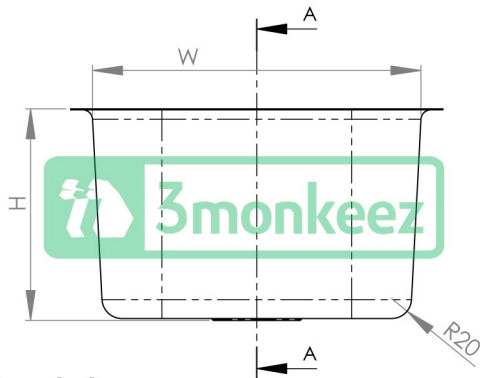


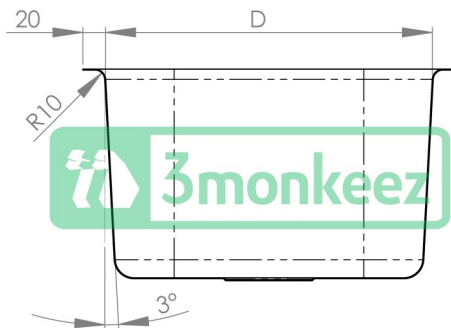
Top



Front



Cross-section A-A



These pressed sink bowls are constructed from 304 grade stainless steel and are suitable for top mount and under mount applications, and feature a satin polish finish.

**Features and Benefits:**

- Constructed from 1mm 304 grade stainless steel
- 20mm flange
- Centre outlet position
- Satin polish finish
- In stock and available for immediate delivery

PRODUCT CODE	W (mm)	D (mm)	H (mm)	OUTLET	CAPACITY
PB01	140	245	100	40	3L
PB02	290	250	165	50	10.4L
PB06	330	330	210	50	20.4L
PB08	350	250	170	50	13.1L
PB14	400	340	200	50	24.6L
PB20	450	380	200	50	31.4L
PB23	520	370	210	50	37L



Unit 6, 24 Wellington Street, Riverstone NSW 2765  
 Tel: 02 9627 6111 Fax: 02 9627 3111  
 sales@3monkeeZ.com.au  
 www.3monkeeZ.com.au

*Details accurate at time of print. It is possible that some details may change without notice. Whilst all care has been taken in compiling this information, designs & dimensions shown are indicative only and should not be relied upon without prior approval.*



another great idea.