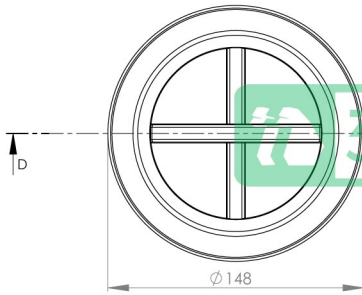
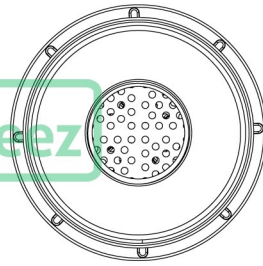


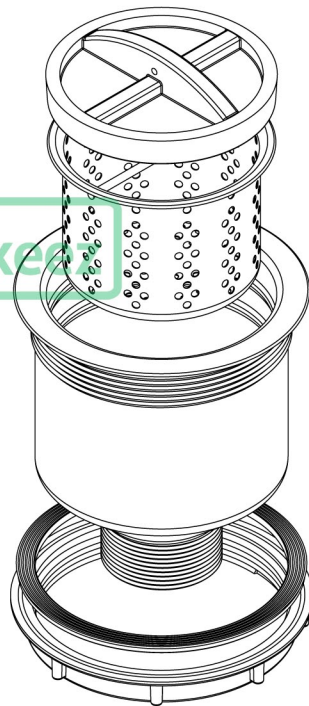
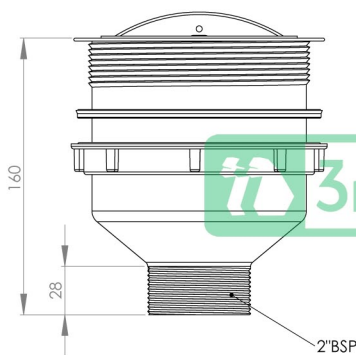
Top



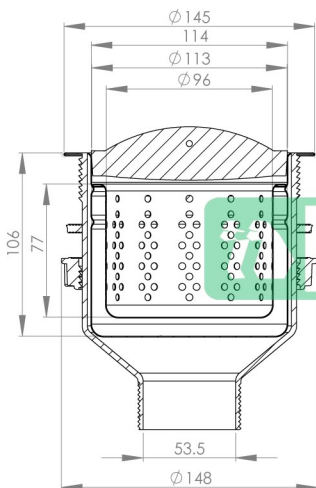
Bottom



Side



Cross-section D-D



Product Code:

SSBW-1**P-PLUGSSBW-1 (plug only)****P-BASKETSSBW-1
(removable basket only)**

The SSBW-1 is a great solution for high volume environments due to its large internal capacity. It suits a 127mm waste outlet with 50mm BSP thread/connection and its features include a removable stainless steel basket with fixed secondary strainer.

Features and Benefits:

- Sydney Water Approval Number: 2006-377
- Watermark Approval Number: 40055
- Removable stainless steel strainer basket
- Fixed secondary strainer
- Complete with removable plug
- Suits a 127mm outlet
- In stock and available for immediate delivery

SCRAPTRAP
THE WASTE ARRESTOR FOR ALL IN COMMERCIAL & DOMESTIC USE

W
ATS 5200.040
C of C: 40055

Unit 6, 24 Wellington Street, Riverstone NSW 2765

Tel: 02 9627 6111 Fax: 02 9627 3111

sales@3monkeez.com.au

www.3monkeez.com.au

Details accurate at time of print. It is possible that some details may change without notice. Whilst all care has been taken in compiling this information, designs & dimensions shown are indicative only and should not be relied upon without prior approval.



another great idea.