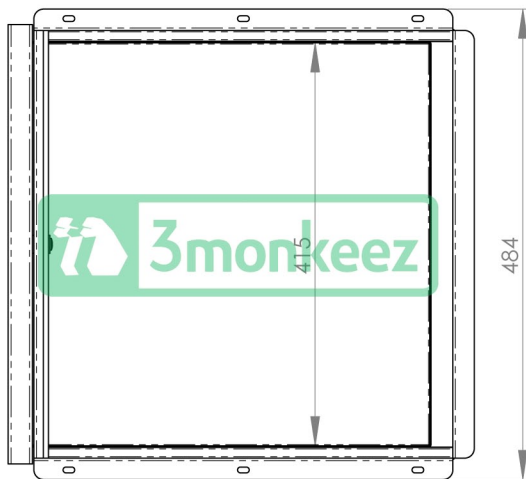
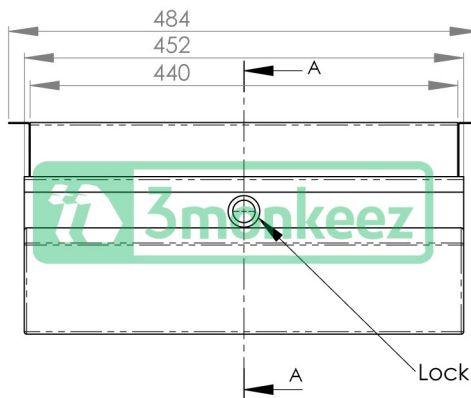


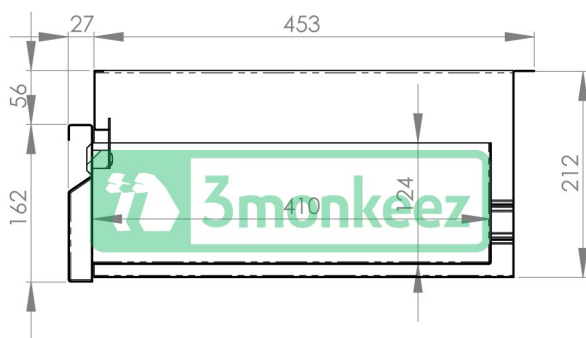
Top



Front



Cross-section A-A



Product Code:

**SSDRAWER**

**SSDRAWER-L (Complete with lock)**

Available with or without locks

This stainless steel drawer has been designed for use in commercial kitchens, outdoor BBQ areas, hospitals and food preparation areas. They can be either under bench mounted or manufactured into freestanding cabinets.

**Features and Benefits:**

- Constructed from 1.2mm 304 grade stainless steel
- Heavy duty drawer slides
- Drawers are available with locks on request (Product Code: SSDRAWER-L)
- Pre drilled fixing holes for under bench mounting
- Stackable
- In stock and available for immediate delivery



Unit 6, 24 Wellington Street, Riverstone NSW 2765

Tel: 02 9627 6111 Fax: 02 9627 3111

sales@3monkeez.com.au

www.3monkeez.com.au

*Details accurate at time of print. It is possible that some details may change without notice. Whilst all care has been taken in compiling this information, designs & dimensions shown are indicative only and should not be relied upon without prior approval.*



another great idea.