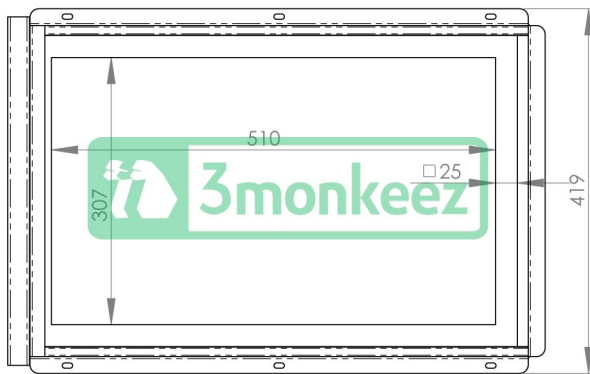
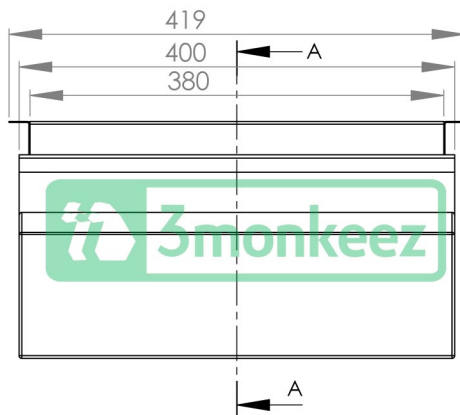


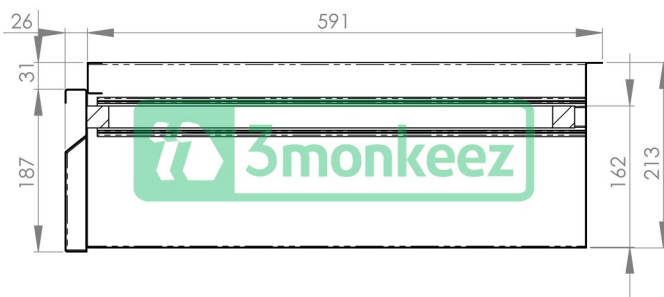
Top



Front



Cross-section A-A



Product Code:

SSDRAWER-1G

Suits removable pans

This stainless steel drawer has been designed for use in commercial kitchens and food preparation areas. It features double action drawer slides and suits a full size removable 1-1 gastronorm pan.

Features and Benefits:

- Constructed from 1.2mm 304 grade stainless steel
- Heavy duty drawer slide that extends past open so as to allow pans to be removed with ease
- Pre drilled fixing holes for under bench mounting
- Stackable
- Under bench mounted
- Specifically designed to allow easy access to pans
- In stock and available for immediate delivery

Unit 6, 24 Wellington Street, Riverstone NSW 2765

Tel: 02 9627 6111 Fax: 02 9627 3111

sales@3monkeez.com.au

www.3monkeez.com.au

Details accurate at time of print. It is possible that some details may change without notice. Whilst all care has been taken in compiling this information, designs & dimensions shown are indicative only and should not be relied upon without prior approval.



another great idea.