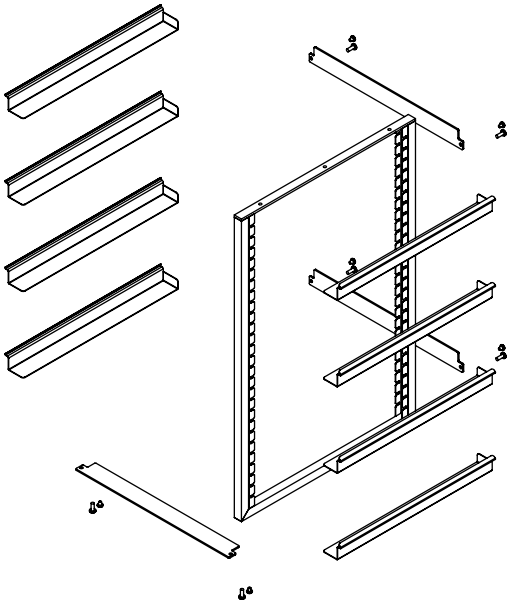
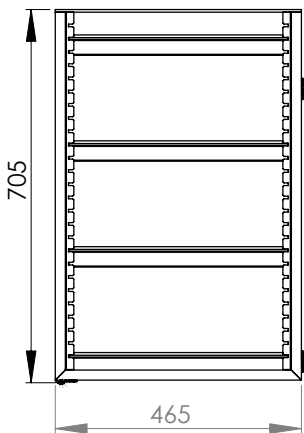
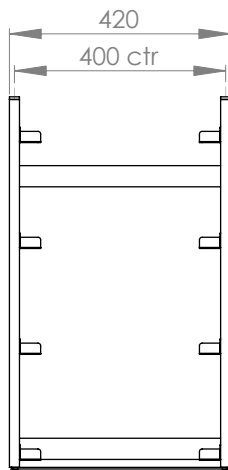
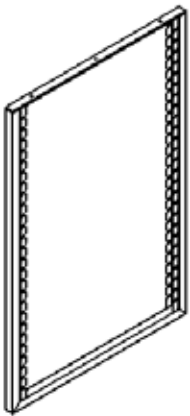


BRK-1



BRK-2



Product Code:

BRK-1

BRK-2 (single end frame only)

AB-BRK-C (complete bay)

Economical and easy to install prefabricated storage solution. Easily expandable and adjustable, it comes flat packed for easy transportation.

Features and Benefits:

- 4 pairs of adjustable stainless steel tray slides to accommodate 4 tiers or 3 tiers and a drip tray
- Notched channel welded to frame
- Optional stainless steel drip tray
- Stainless steel fixings with flat bar supports
- Pre drilled fixing holes for under bench mounting
- Constructed from 19mm 304 grade stainless steel square tubes
- In stock and available for immediate delivery

Unit 6, 24 Wellington Street, Riverstone NSW 2765

Tel: 02 9627 6111 Fax: 02 9627 3111

sales@3monkeez.com.au

www.3monkeez.com.au

Details accurate at time of print. It is possible that some details may change without notice. Whilst all care has been taken in compiling this information, designs & dimensions shown are indicative only and should not be relied upon without prior approval.



another great idea.