



PRODUCT CODE:

FW-100BRL

FW-100RL-BASKET (basket only)

Another 3monkeez® trade waste solution to combat solids entering the drainage system. This product suits 100mm DWV, has a fixed secondary strainer, removable basket, and is available in 304 grade stainless steel.

FEATURES & BENEFITS:

- Fixed secondary strainer
- Removable strainer basket
- Suits 100mm DWV, HDPE pipe

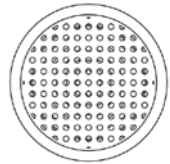
In stock and available for immediate delivery



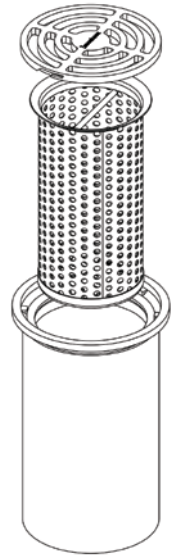
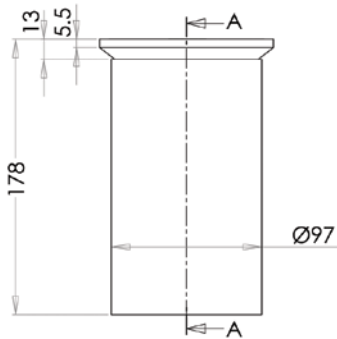
Top



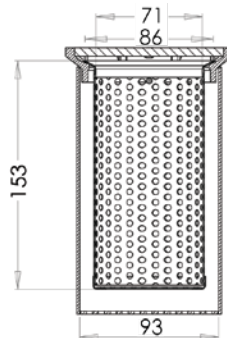
Bottom



Side



Cross Section



FW-100RL-BASKET



Details accurate at time of print. Whilst all care has been taken in compiling this information, designs & dimensions shown are indicative only and should not be relied upon without prior approval.

