



**PRODUCT CODE:**

**FW-200BS-304**

**FW-200BS-316**

**FW-200S-BASKET-304** (basket only)

**FW-200S-BASKET-316** (basket only)

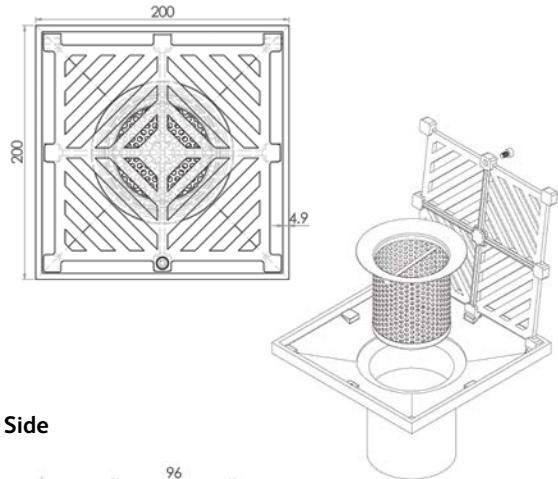
This modern lineal design floor waste is available in 304 grade or 316 grade stainless steel. It suits 100mm DWV or HDPE and has a 200mm square grate. Fixed secondary strainer and removable basket.

**FEATURES & BENEFITS:**

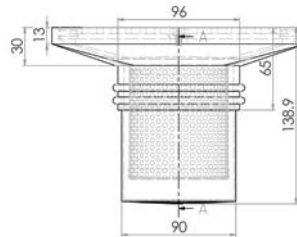
- Hinged grate
- Suits 100mm DWV, HDPE pipe
- Fixed secondary strainer
- Removable strainer basket

*In stock and available for immediate delivery*

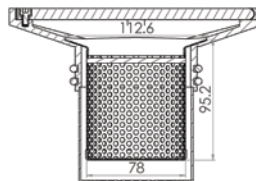
**Top**



**Side**



**Cross Section**



*Details accurate at time of print. Whilst all care has been taken in compiling this information, designs & dimensions shown are indicative only and should not be relied upon without prior approval.*

