



PRODUCT CODE:

HB300SB

This robust and economical wall mounted hand basin can save you time and money. The unique design includes a 300mm splashback that removes the need to tile. It is ideal for use in a wide range of applications including schools, public amenities, sporting clubs and factory units.

FEATURES & BENEFITS:

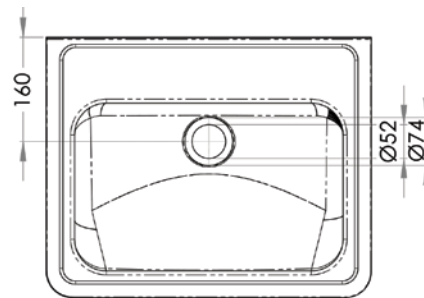
- 11.5 litre capacity
- Constructed from 1mm 304 grade stainless steel
- 300mm splashback
- 40mm outlet - Suits PW40
- Comes complete with wall brackets
- Mirror polish finish
- Available in 1, 2 and 3 tap hole configurations

In stock and available for immediate delivery

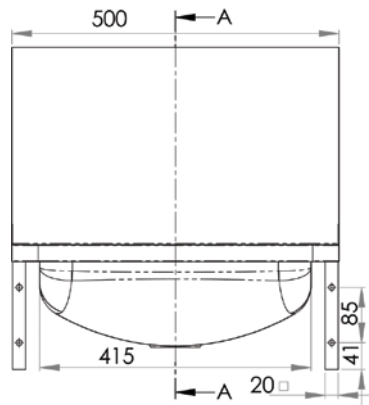


Use SAFETEE-STRIP for no sharp edges

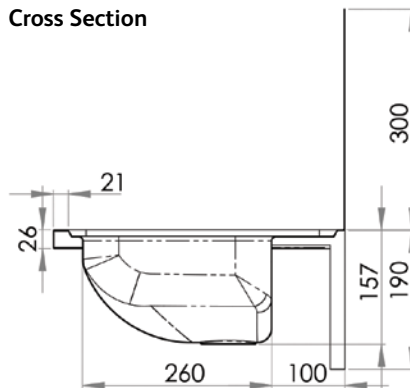
Top



Front



Cross Section



STAINLESS STEEL EVOLUTIONS
Innovate · Create · Deliver

Details accurate at time of print. Whilst all care has been taken in compiling this information, designs & dimensions shown are indicative only and should not be relied upon without prior approval.