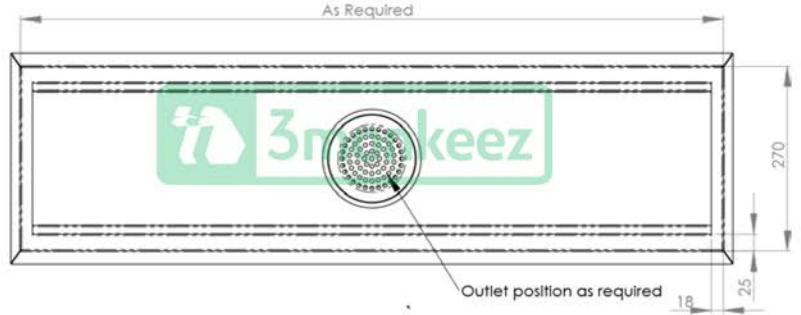


**Floor Trough**



1. Quantity - \_\_\_\_\_

2. Overall Dimensions

Length - \_\_\_\_\_ mm

Width (if different to drawing) - \_\_\_\_\_ mm

Depth (if different to drawing) - \_\_\_\_\_ mm

3. Grating Profile

Square Bar



Pick One

6x6 Square Bar

10x10 Square Bar

Non Slip Square Bar

Wedge Wire



Pick One

WW-G100 Wedge Wire

WW-G200 Wedge Wire

WW-G300 Wedge Wire

4. Stainless Steel Grade

304 or

316

5. Removable and Fixed Strainer

Yes or

No

6. Heel Guard

Yes or

No

7. Outlet Size - \_\_\_\_\_ mm

8. Outlet Position

\_\_\_\_\_ mm in from left

or  Centre

\_\_\_\_\_ mm in from front

or  Centre

9. Load Class

Pedestrian

Cars/Bikes

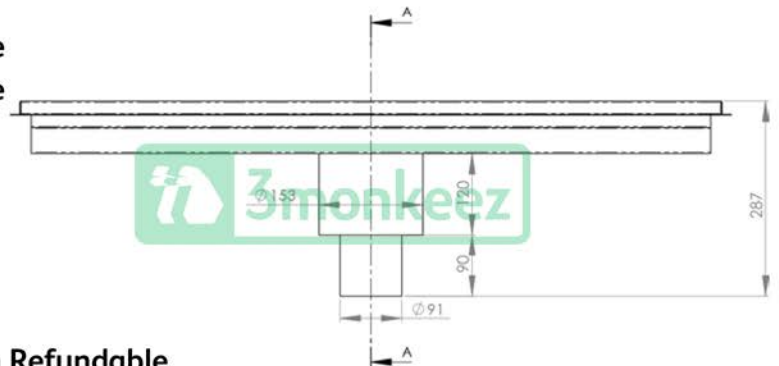
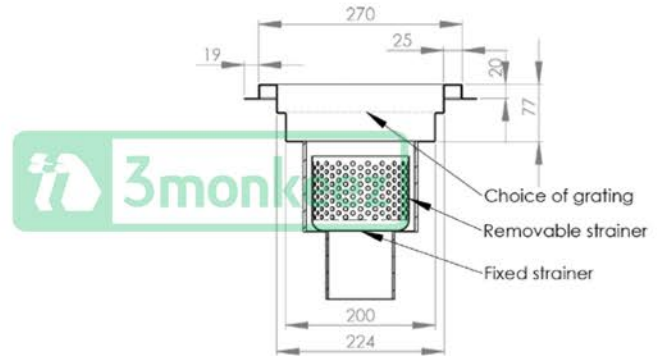
Light Commercial

Heavy Commercial

Pre Fabricated Items are Non Returnable and Non Refundable

The Lead Time On MTO Products Is 10-15 Working Days + Delivery

Please Fax Completed Form To 02 9627 3111 or Email To [orders@3monkeez.com.au](mailto:orders@3monkeez.com.au)



Company:

Name:

Signature:

Purchase Order Number:

Date:

Phone Number: