

PRODUCT CODE:

**T-3M61200****Wall Elbow and Wall Stops**

PRODUCT CODE:

**T-3MWELB****Wall Elbow****FEATURES & BENEFITS:**

- Stainless steel construction
- 1/2" FI BSP inlet
- 3/8" FI BSP riser connection
- Watermarked
- 24 month warranty



PRODUCT CODE:

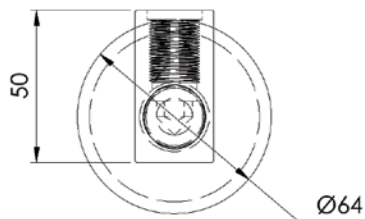
**T-3M120000****Wall Top Assembly****FEATURES & BENEFITS:**

- 1/4 turn ceramic disc lever handles
- Watermarked
- 24 month warranty

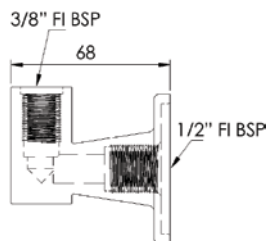
**CLEANJET**<sup>®</sup>  
STAINLESS STEEL

Details accurate at time of print. Whilst all care has been taken in compiling this information, designs & dimensions shown are indicative only and should not be relied upon without prior approval.

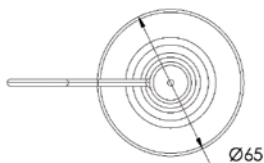
Front



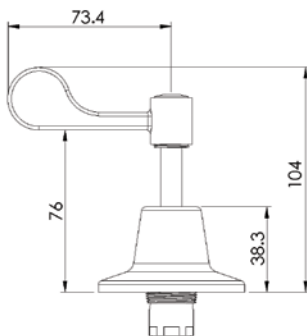
Side



Front



Top

Working pressure range  
150 – 1000kPaMaximum hot water  
temperature – 80°C