



PRODUCT CODE:

T-3M63134

The 3monkeez® range of tapware is perfectly suited for commercial kitchens, schools, canteens, bars, cafés, food processing facilities or any other commercial setting. The range includes Pre-Rinse Units, Mixers, Hot Wash Reels, Sensor Taps, Bubblers, Pillar, Bib Taps and more.

FEATURES & BENEFITS:

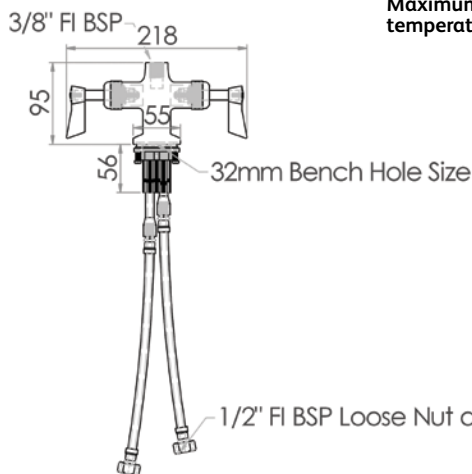
- Stainless steel construction
- Dual hob tap body includes inlet hoses
- 1/2 turn rising spindles
- Inlet hoses have 1/2" FI BSP loose nut and tail
- 3/8" FI BSP riser connection
- Watermarked
- 24 month warranty

CLEANJET®
STAINLESS STEEL



Details accurate at time of print. Whilst all care has been taken in compiling this information, designs & dimensions shown are indicative only and should not be relied upon without prior approval.

Front



Working pressure range
150 – 1000kPa

Maximum hot water
temperature – 80°C

Top



Side

