



## PRODUCT CODE:

**T-3MDH06** (6" spout)**T-3MDH12** (12" spout)

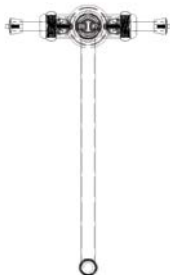
The 3monkeez® range of tapware is perfectly suited for commercial kitchens, schools, canteens, bars, cafés, food processing facilities or any other commercial setting. The range includes Pre-Rinse Units, Mixers, Hot Wash Reels, Sensor Taps, Bubblers, Pillar, Bib Taps and more.

## FEATURES &amp; BENEFITS:

- Stainless steel construction
- Dual hob tap body includes inlet hoses
- Available with a 6" or 12" spout - 3 star 8LPM
- 24 month warranty

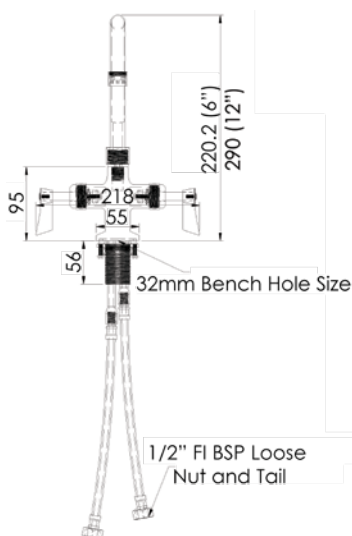


Top



Working pressure range  
150 – 1000kPa  
Maximum hot water  
temperature – 80°C

Front



Side



Details accurate at time of print. Whilst all care has been taken in compiling this information, designs & dimensions shown are indicative only and should not be relied upon without prior approval.

**3monkeez**<sup>®</sup>  
STAINLESS STEEL EVOLUTIONS  
Innovate · Create · Deliver