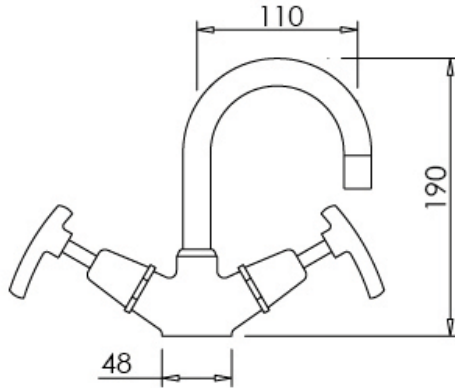




PRODUCT CODE:

**T-3MTWIN-B** (basin twinner)

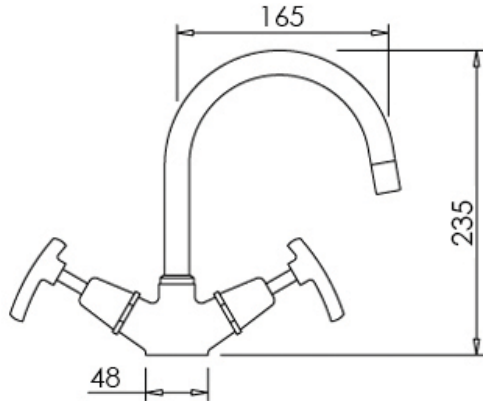
T-3MTWIN-B



PRODUCT CODE:

**T-3MTWIN-S** (sink twinner)

T-3MTWIN-S



The 3monkeez® range of tapware is perfectly suited for commercial kitchens, schools, canteens, bars, cafés, food processing facilities or any other commercial setting. The range includes Pre-Rinse Units, Mixers, Hot Wash Reels, Sensor Taps, Bubblers, Pillar, Bib Taps and more.

#### FEATURES & BENEFITS:

- Lever handles - 1/4 turn ceramic disc
- Includes flexi hoses - 1/2" FI BSP
- WELS 6 Star - 4.5LPM
- 80 degree max operating temperature
- 700 kPa maximum working pressure

*Details accurate at time of print. Whilst all care has been taken in compiling this information, designs & dimensions shown are indicative only and should not be relied upon without prior approval.*

**3monkeez**®  
STAINLESS STEEL EVOLUTIONS  
Innovate · Create · Deliver