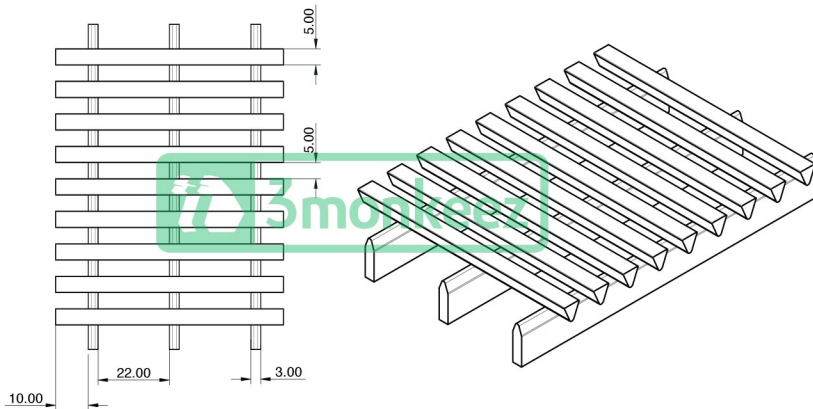
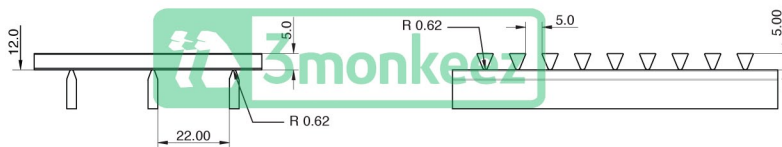


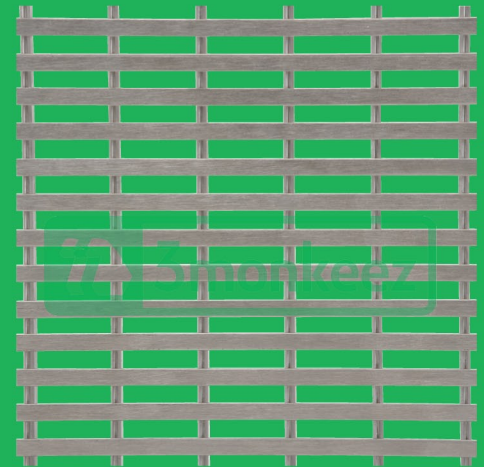
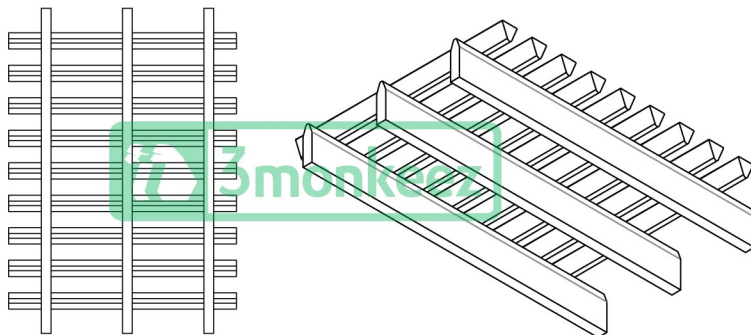
Top



Side



Bottom



Product Code:

**WW-G300**

Wire Size = 5mmW x 5mmH gap 5mm

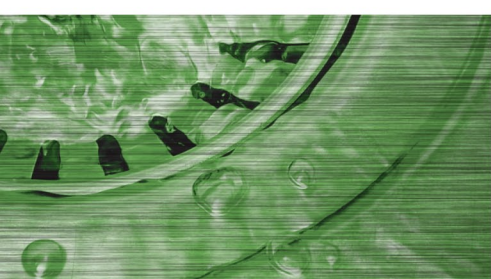
Support bars = 3mmW x 12mmD gap 22mm

Wedge wire is a versatile material for drainage and screening applications and is now available from the 3monkeez®.

Wedge wire has high flow characteristics, making it ideal for drainage and wash-down applications as it provides a substantial clear opening in ratio to the overall surface area of the grate.

**Features and Benefits:**

- 3 profiles available
- Convenient sheet size minimizes wastage
- 304 grade stainless steel
- Versatile and long lasting
- Flat bed manufacturing technique – not rolled
- Available off the shelf



Unit 6, 24 Wellington Street, Riverstone NSW 2765  
 Tel: 02 9627 6111 Fax: 02 9627 3111  
 sales@3monkeez.com.au  
 www.3monkeez.com.au

Details accurate at time of print. It is possible that some details may change without notice. Whilst all care has been taken in compiling this information, designs & dimensions shown are indicative only and should not be relied upon without prior approval.



another great idea.