

**PRODUCT CODE:****HBD-R**

This wall mounted round disabled hand basin features a satin finish and conforms to AS1428 - Design For Access and Mobility. It is ideal for installation in public amenities, schools, nightclubs and more.

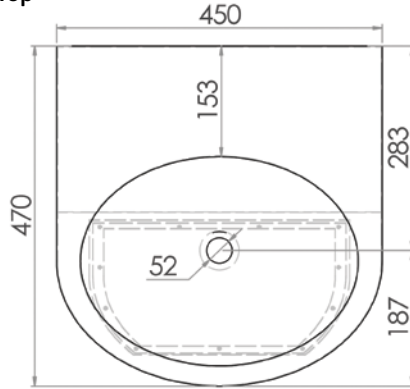
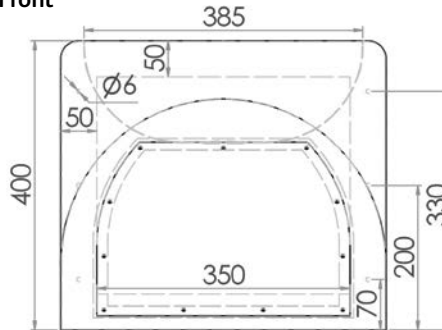
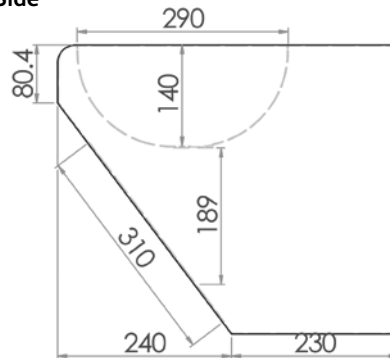
FEATURES & BENEFITS:

- AS1428 compliant
- 9 litre capacity
- Constructed from 1.2mm 304 grade stainless steel
- Satin finish
- 40mm outlet
- Access panel with vandal resistant screws
- Concealed plumbing and trap
- Suits P trap installation
- Left or right tap holes on request

In stock and available for immediate delivery



AS1428 Compliant

Top**Front****Side**

Details accurate at time of print. Whilst all care has been taken in compiling this information, designs & dimensions shown are indicative only and should not be relied upon without prior approval.