



PRODUCT CODE:

HBD-S

This wall mounted square disabled hand basin features a satin finish and conforms to AS1428 - Design For Access and Mobility. It is ideal for installation in public amenities, schools, nightclubs and more.

FEATURES & BENEFITS:

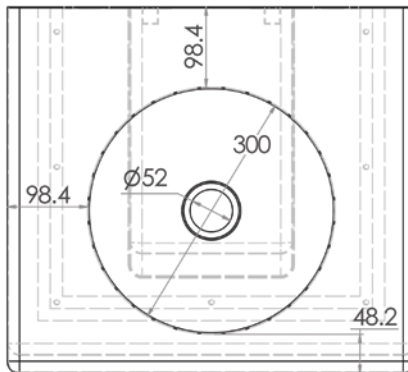
- AS1428 compliant
- 3.5 litre capacity
- Constructed from 1.2mm 304 grade stainless steel
- 300mm diameter bowl
- Satin finish
- 50mm splashback
- 40mm outlet
- Vandal resistant screws
- Concealed plumbing and trap
- Suits P trap installation
- Left or right tap holes on request

In stock and available for immediate delivery

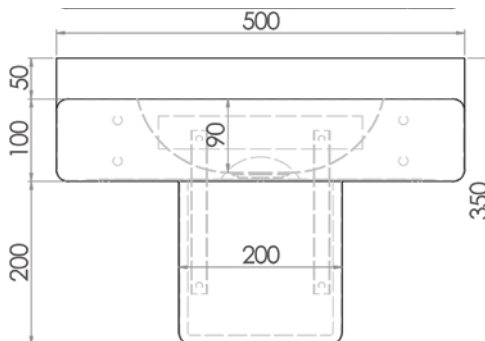


AS1428 Compliant

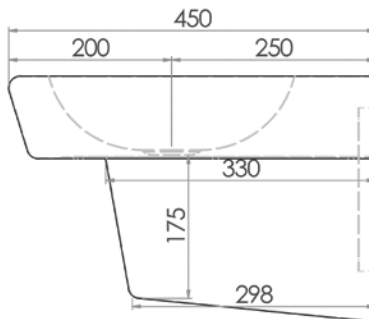
Top



Front



Side



Details accurate at time of print. Whilst all care has been taken in compiling this information, designs & dimensions shown are indicative only and should not be relied upon without prior approval.



STAINLESS STEEL EVOLUTIONS
Innovate · Create · Deliver